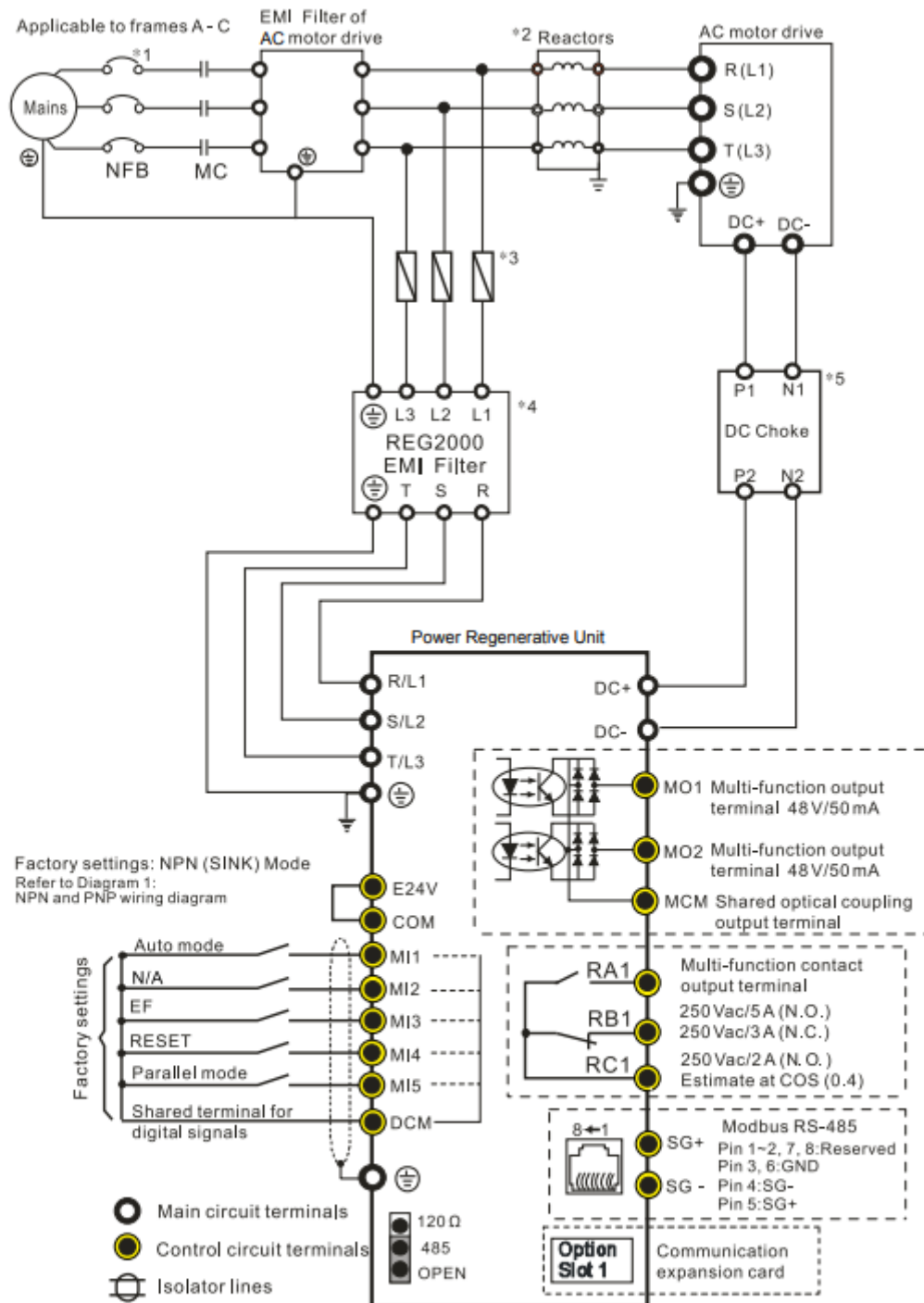


Wiring

Applicable to frames A-C



Note:

- *1. The NFB can be selected based on the selection guide of the drive.
- *2. If a reactor is connected to the drive, install the reactor here (optional).
- *3. Please refer to the user manual for selection of fuses.
- *4. Please refer to the user manual for selection of a REG2000 EMI filter.
- *5. DC choke is included in the package, please install following the instruction shown in the diagram.